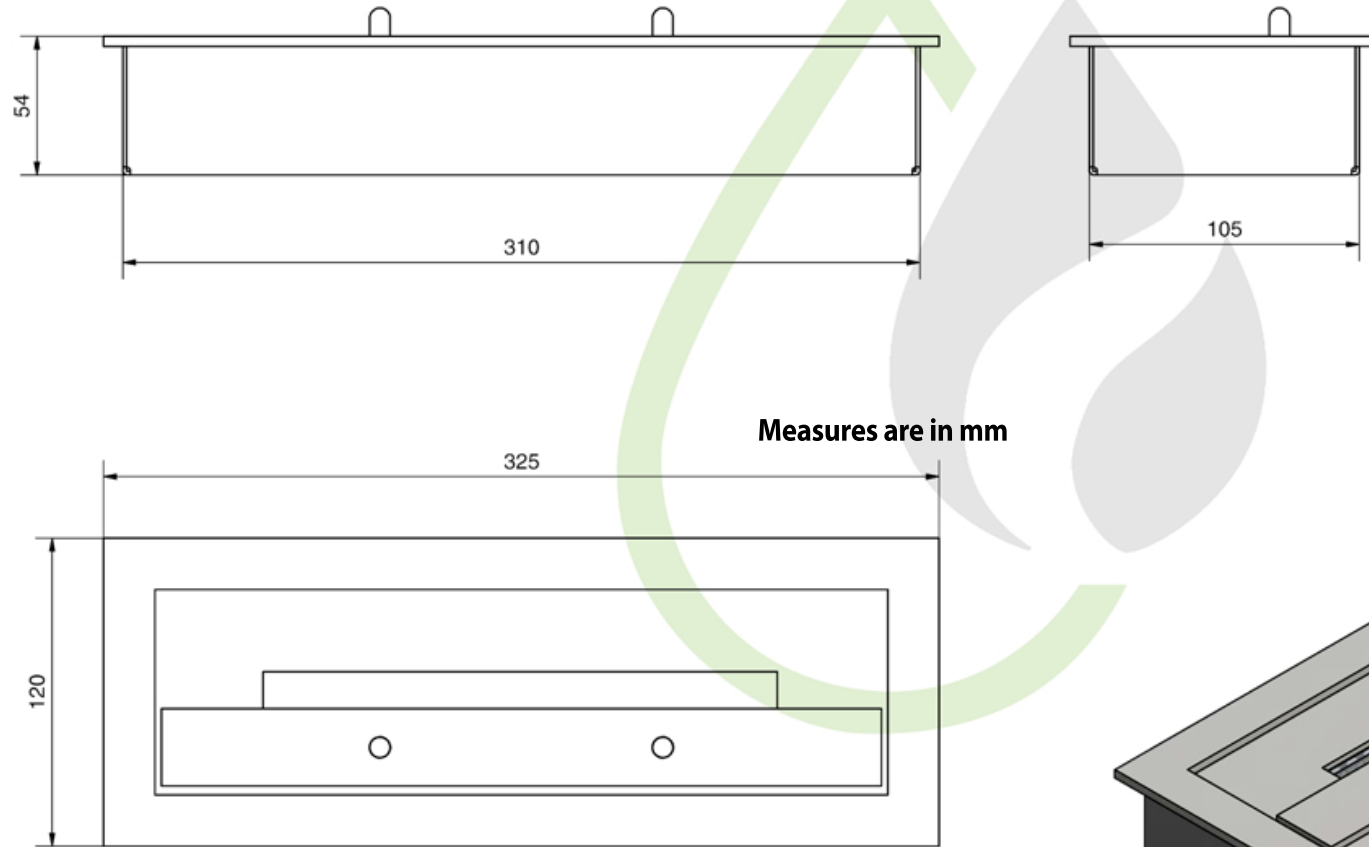


Burner 31 cm insert - 12" insert - Technical drawing



Product Dimensions

L 325 x H 54 x D 120mm

L 12 $\frac{3}{4}$ " x H 2" x D 4 $\frac{3}{4}$ "

Weight

3.5 kg / 7.7 lbs

Burner

1.5L / 1.58 qts burner - adjustable flame

Burning time

+/- 5 hrs - 0.33 l/h - 1/2 qt/h

Heating Capacity

2.8 KW / 9553 BTU

Minimum Room surface

49 M³ (roof 2.45 m) / 1730 ft³ (roof 8ft)

Advised air exchange

every one hour for rooms < 110 m³ < 3884 ft³

last updated

march 2016

